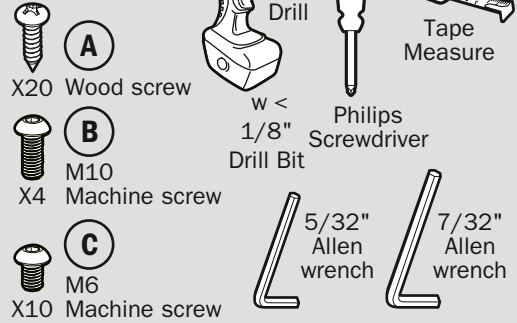


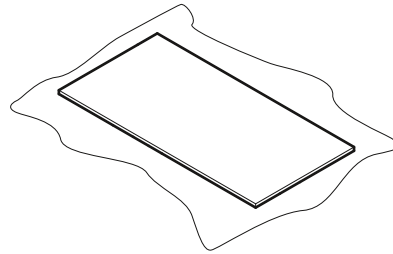
ELEVATE DESK QUICK START GUIDE

TOOLS REQUIRED

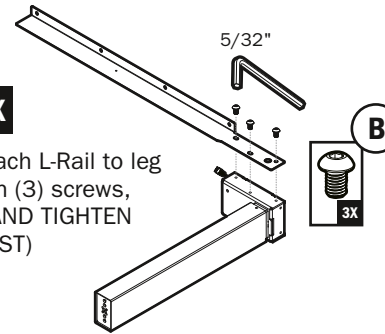


Please note this product comes with additional hardware, screws listed above are only needed for this assembly.

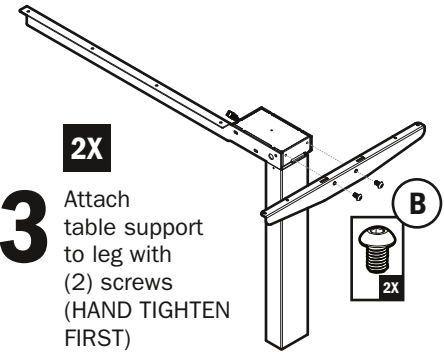
1 Place top good side down on protected surface (you will assemble desk upside down)



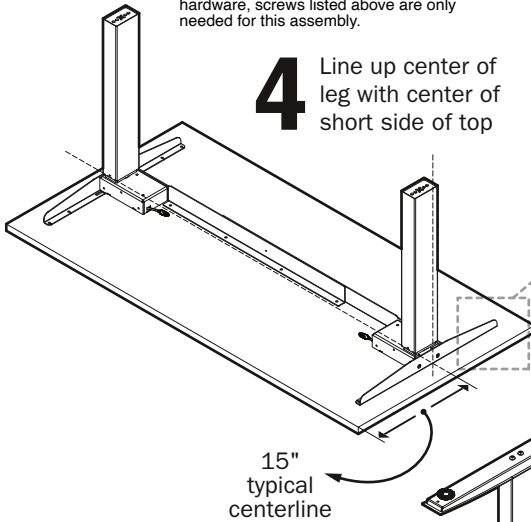
2X
2 Attach L-Rail to leg with (3) screws, (HAND TIGHTEN FIRST)



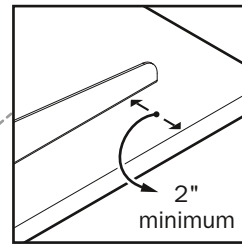
2X
3 Attach table support to leg with (2) screws (HAND TIGHTEN FIRST)



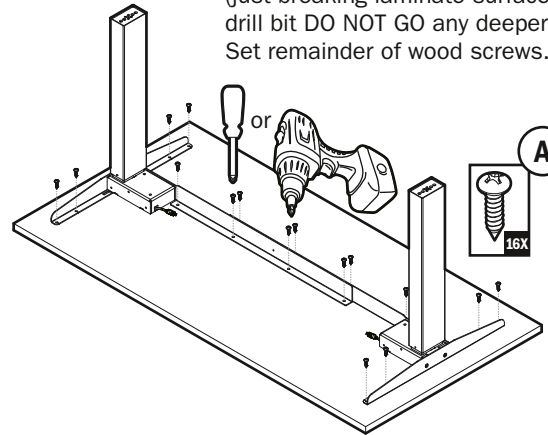
4 Line up center of leg with center of short side of top



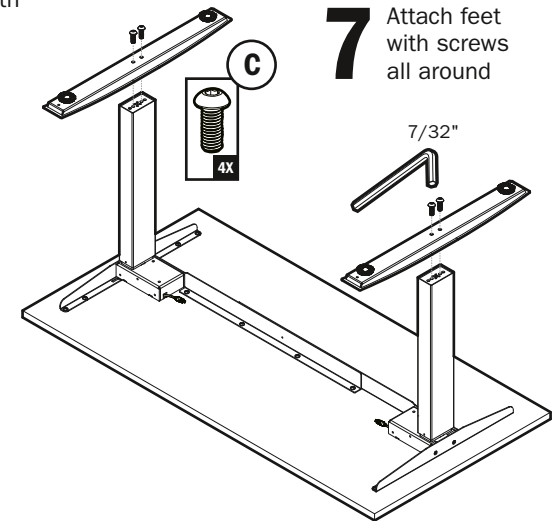
5 Set leg in at least 2" from edge of short side of top



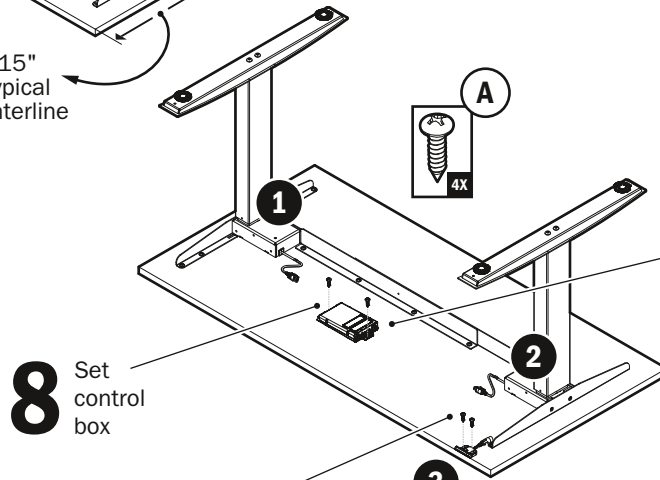
6 If holes are predrilled in top, secure (2) screws on outer most points of legs with screws using drill.
Optional: Predrill remainder of holes (just breaking laminate surface with drill bit DO NOT GO any deeper). Set remainder of wood screws.



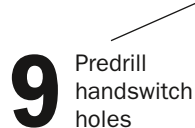
7 Attach feet with screws all around



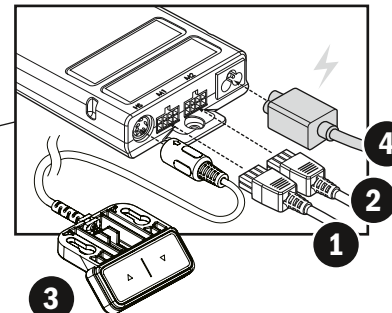
8 Set control box



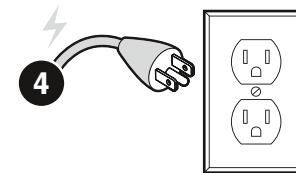
9 Predrill handswitch holes



10 Plug power cord (AC) into control box



11 Plug table into wall



12 Reset table by moving in to its lowest position. Push the down button again until you hear two clicks.