

STREAMLINE DESK QUICK START GUIDE

TOOLS REQUIRED

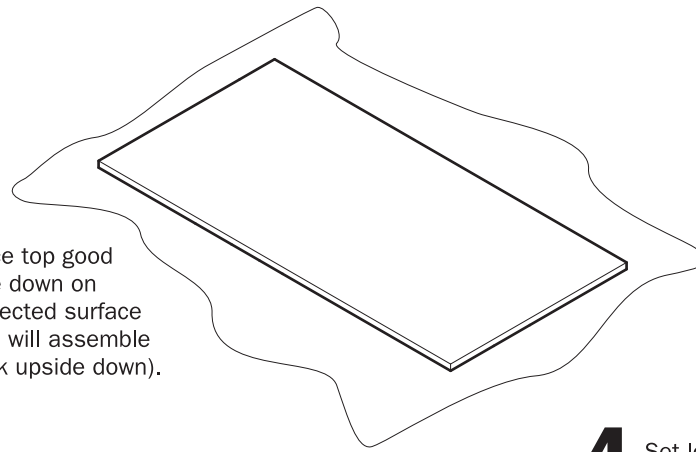


< 1/8"
Drill Bit

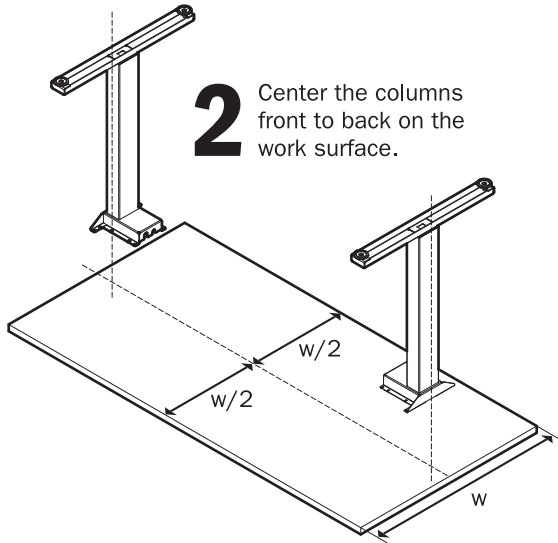


▶ Assembly Video

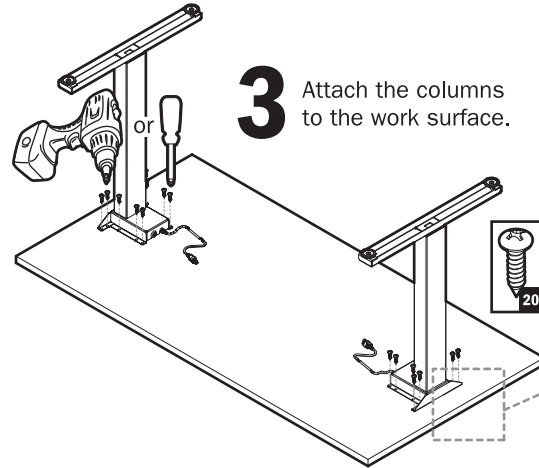
1 Place top good side down on protected surface (you will assemble desk upside down).



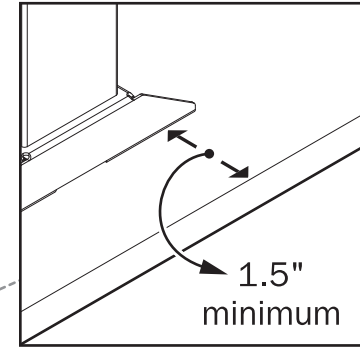
2 Center the columns front to back on the work surface.



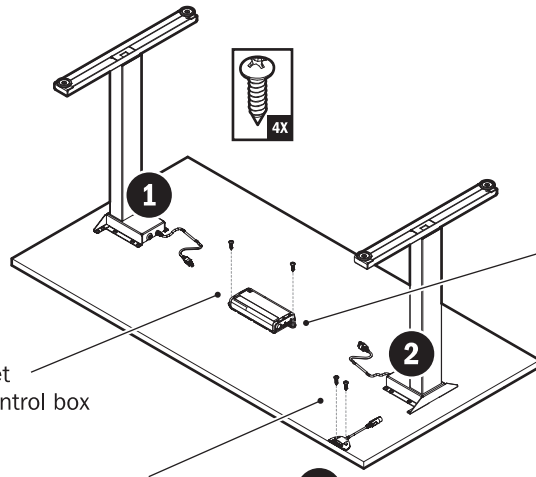
3 Attach the columns to the work surface.



4 Set leg in at least 1.5" from edge of short side of top



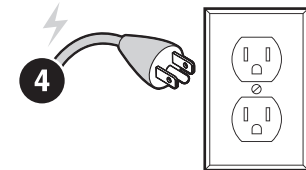
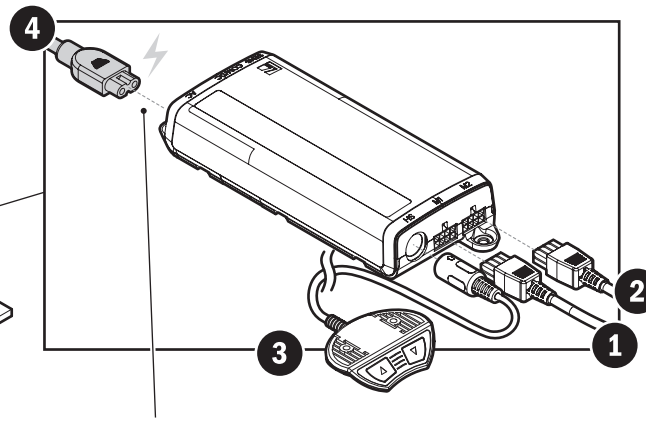
5 Set control box



6 Attach handswitch

3

7 Plug power cord (AC) into control box



8 Plug table into wall

9 Reset table by moving in to its lowest position. Push the down button again until you hear two clicks.